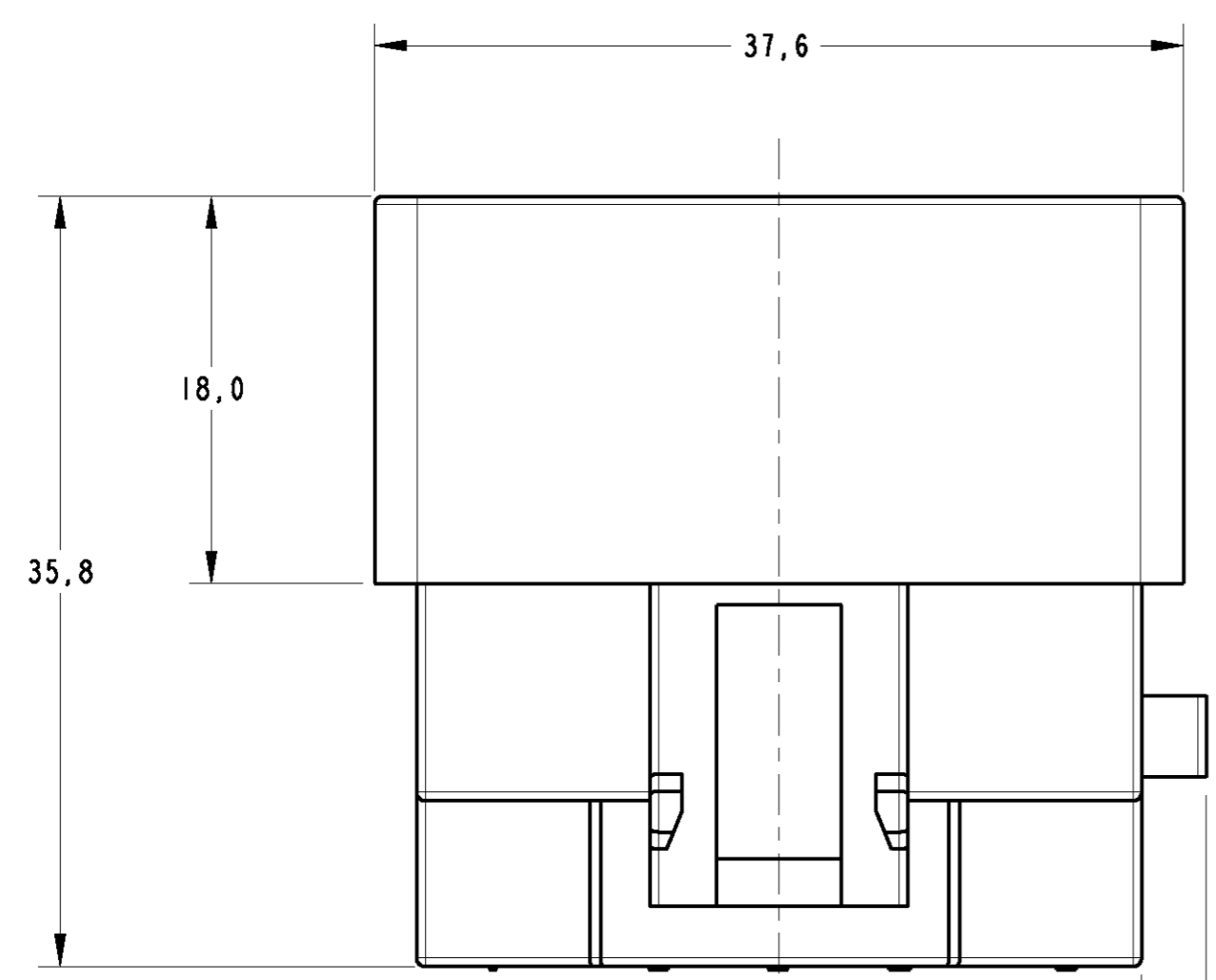
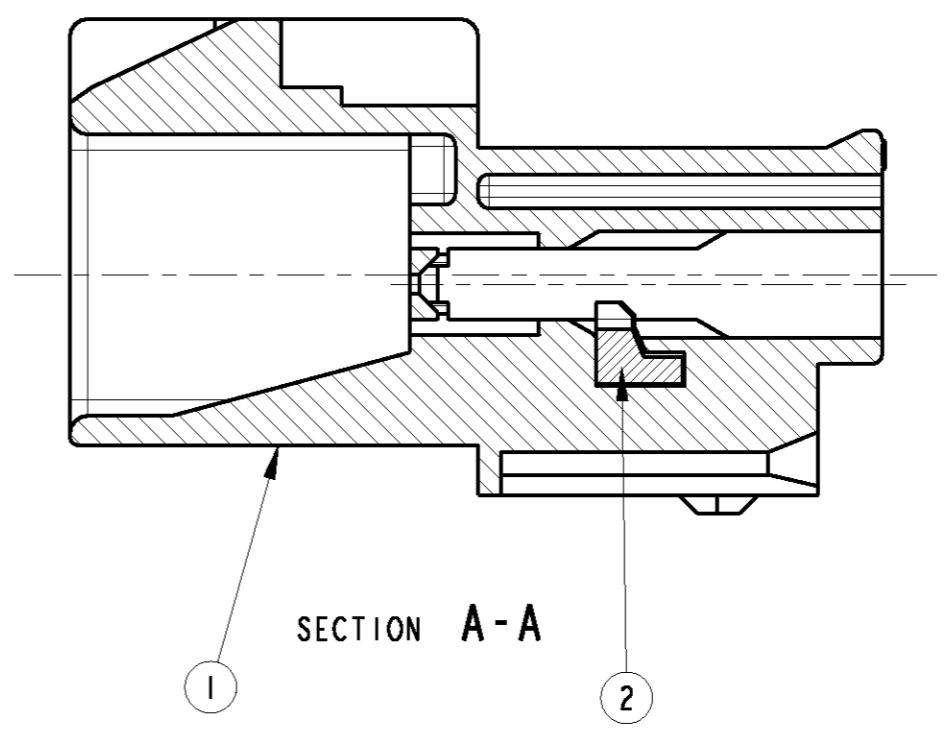
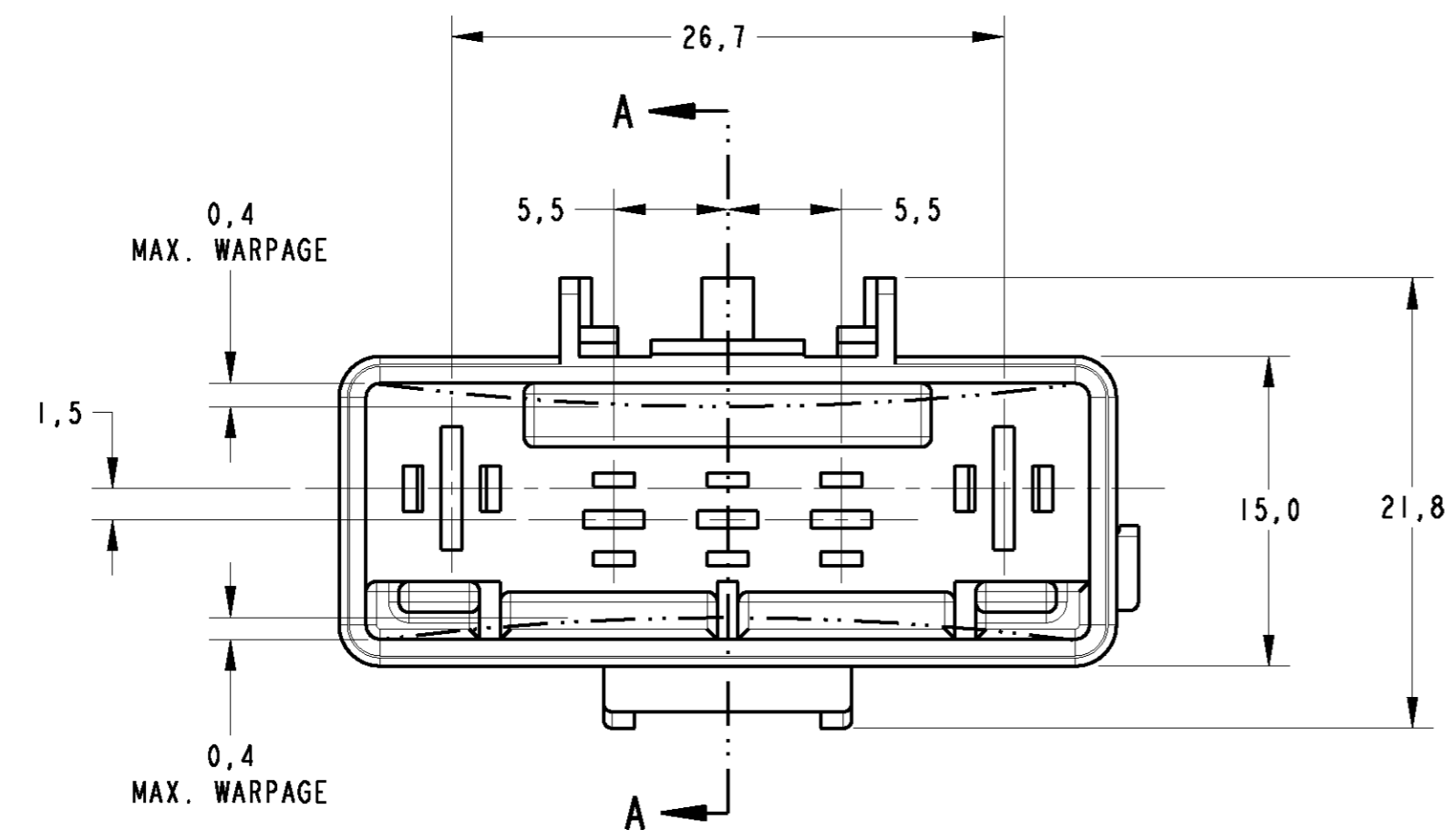
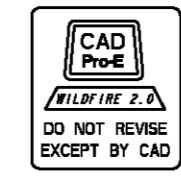


THIS DRAWING IS UNPUBLISHED. RELEASED FOR PUBLICATION 2004  
 © COPYRIGHT 2004 BY TYCO ELECTRONICS CORPORATION. ALL RIGHTS RESERVED.

LOC	DIST	REVISIONS					
AP	-	P	LTR	DESCRIPTION	DATE	DWN	APVD
		O		RELEASED BY EC LB00-0244/04	27APR2004	EL	PLF
		A		UPDATE BY EC LE10-0171/04	06AUG2004	EL	PLF
		B		REVISED BY ECLE10-242/04	01SEP2004	AP	PLF
		BI		REVISED BY ECO-07-026675	23NOV2007	NCL	MR



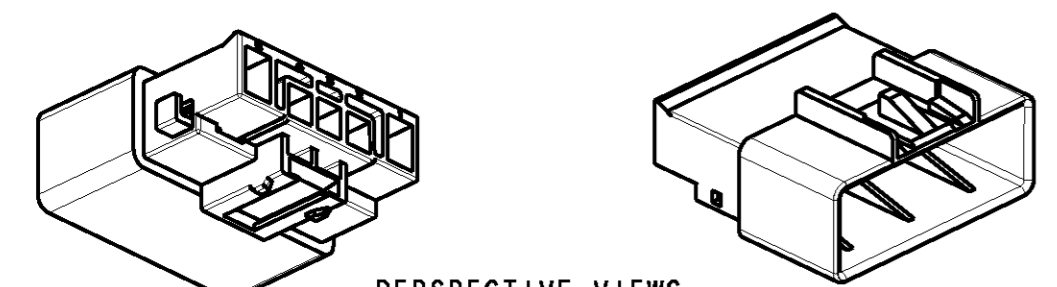
GRAVAÇÃO MARKING
LOGOTIPO TE TE LOGO
CÓDIGO PAÍS PRODUTOR MANUFACTURER COUNTRY CODE
NOMENCLATURA MATERIAL MATERIAL NOMENCLATURE
NÚMERO COMPONENTE TE TE COMPONENT NUMBER
NÚMERO CAVIDADE CAVITY NUMBER
PAÍS PRODUTOR MANUFACTURER COUNTRY
REV.+ LETRA REV.DA PEÇA REV.+ PART REV.LETTER
IDENTIFICACAO DO CIRCUITO CIRCUIT IDENTIFICATION

1 - POSIÇÃO DE PRÉ TRAVAMENTO DA TRAVA SECUNDÁRIA, FORNECIDO CONFORME MOSTRADO.

1 - PRE LOCK POSITION OF SECONDARY LOCK, SUPPLIED AS SHOWN.

2 - TERMINAIS: JPT - VIDE DESENHO GRUPO DE PRODUTO - C 1355364  
 SPT - VIDE DESENHO GRUPO DE PRODUTO - C 1394011

2 - TERMINALS: JPT - SEE PRODUCT GROUP DRAWING - C 1355364  
 SPT - SEE PRODUCT GROUP DRAWING - C 1394011



PERSPECTIVE VIEWS SCALE 1:1

REQ. PER ASSY	ITEM	DESCRIPTION	MATERIAL	FINISH
1	2	SECONDARY LOCK, 5 POS HYBRID SPT/JPT, TAB	PA 6.6+15%GF	AZUL/BLUE
1	1	HOUSING, 5 POS HYBRID SPT/JPT, TAB	PA 6.6+15%GF	PRETO / BLACK
1599314				

THIS DRAWING IS A CONTROLLED DOCUMENT FOR TYCO ELECTRONICS CORPORATION. IT IS SUBJECT TO CHANGE AND THE CONTROLLING ENGINEERING ORGANIZATION SHOULD BE CONTACTED FOR THE LATEST REVISION.		DWN <b>E. LOPES</b> 23APR2004 CHK <b>P. L. FARIA</b> 23APR2004 APVD <b>I. W. PRADO</b> 23APR2004	Tyco Electronics TYCO ELECTRONICS do Brasil LTDA. São Paulo, Brasil
DIMENSIONS: mm	TOLERANCES UNLESS OTHERWISE SPECIFIED: 0 PLC ± 1 PLC ±0.3 2 PLC ± 3 PLC ± 4 PLC ± ANGLES ±° FINISH	PRODUCT SPEC <b>108-37065</b> APPLICATION SPEC <b>411-37040</b> WEIGHT - / -	NAME <b>HOUSING ASSEMBLY, 5 POS HYBRID SPT/JPT, TAB</b> SIZE <b>A2</b> CAGE CODE <b>00779</b> DRAWING NO. <b>C-1599314</b> RESTRICTED TO - / -
MATERIAL SEE TABLE		CUSTOMER DRAWING	
		SCALE	SHEET OF REV
		3:1	1 1 BI

1599314